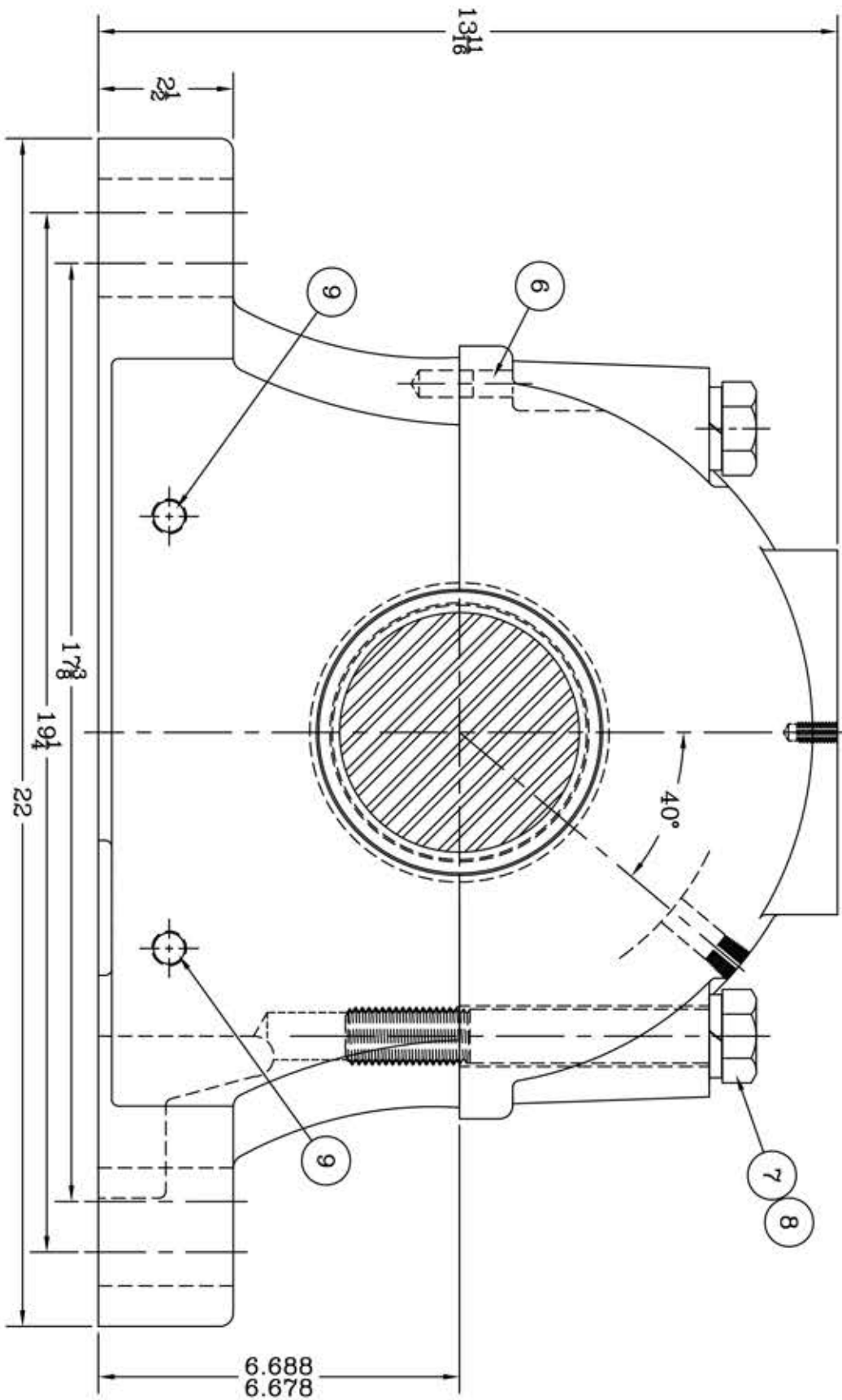
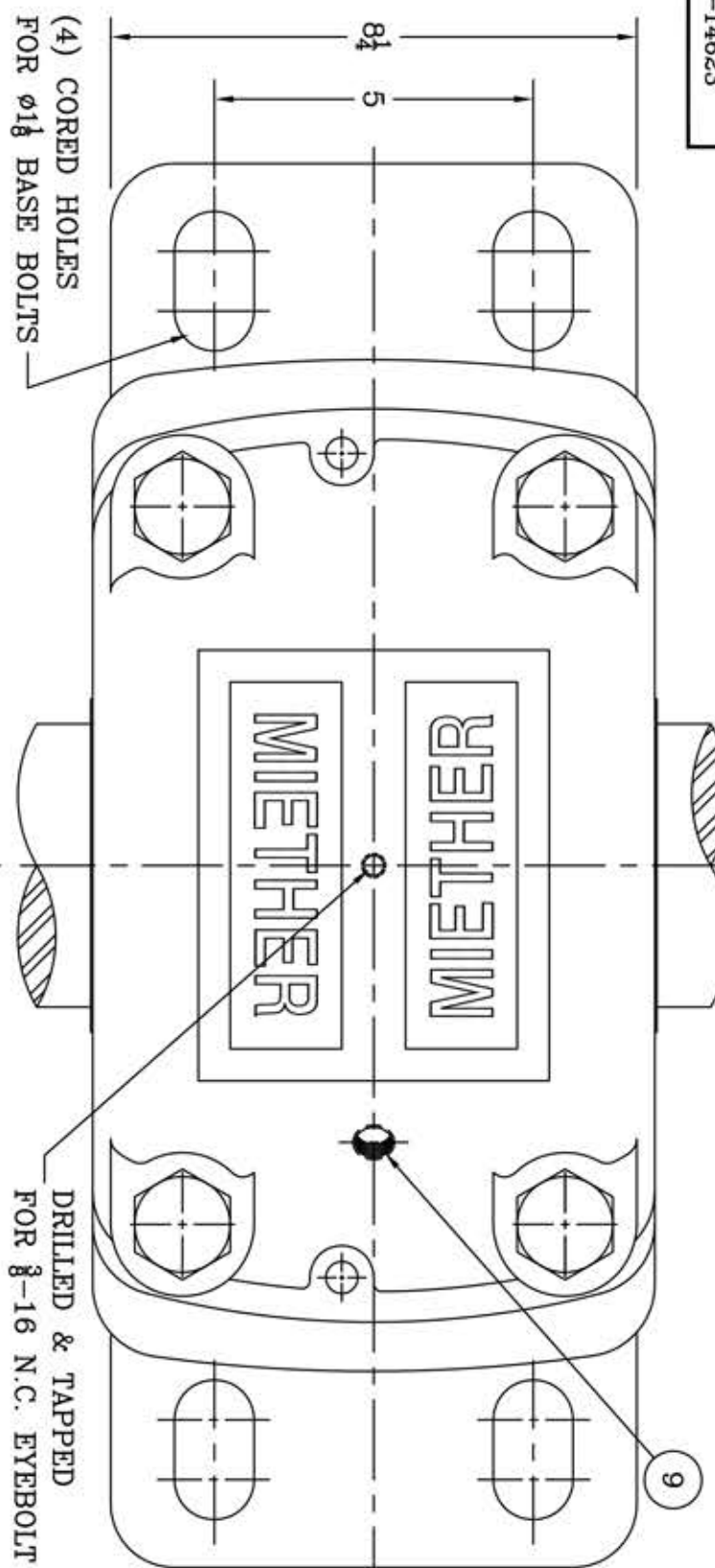
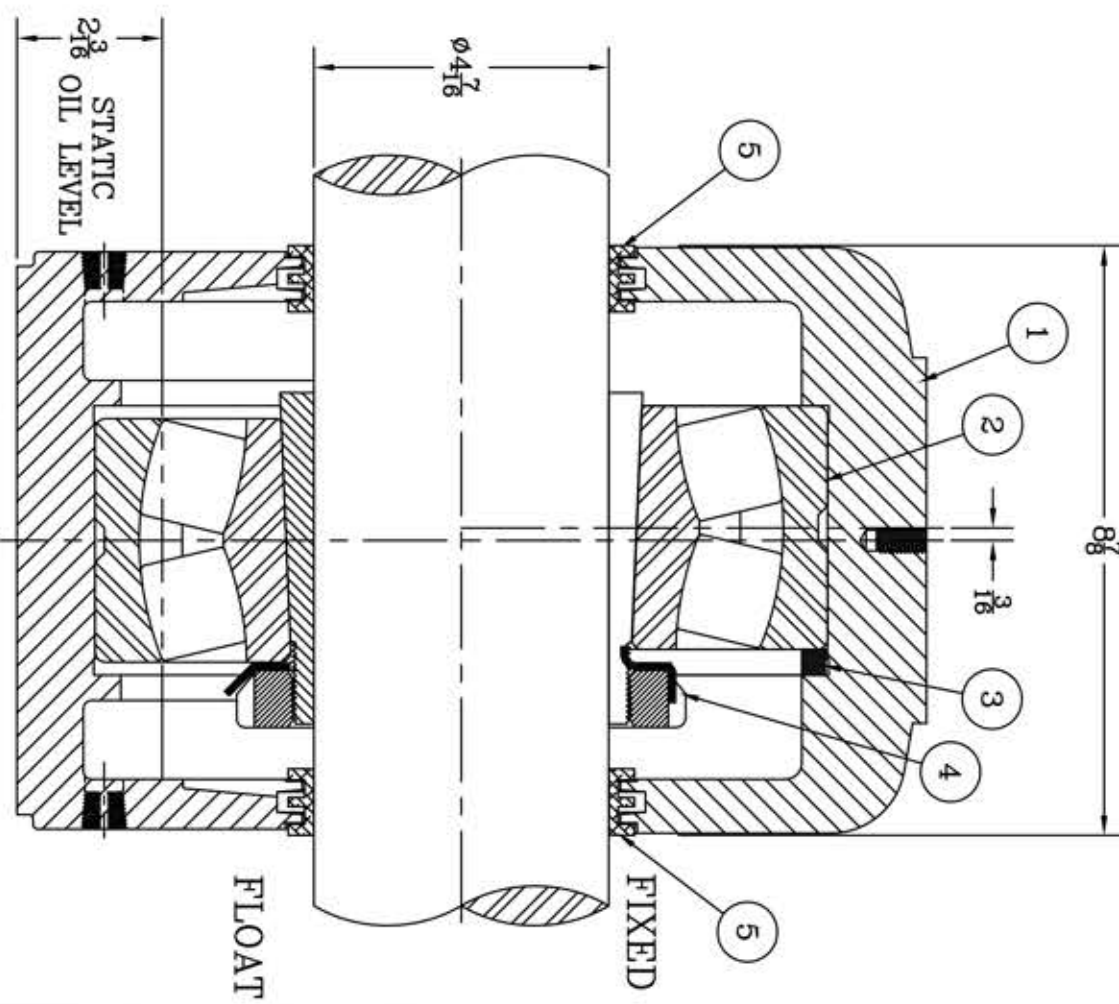


This drawing is the sole property of Miether Bearing Products and contains confidential and proprietary information. It is being provided to you for your use and may not be disclosed to any third party or used for any other purpose without Miether's prior written consent. The [materials] must be returned to the Company upon its demand. Your acceptance of these materials constitutes your acceptance of the foregoing terms.

C-14623



ITEM	DESCRIPTION	DETAIL	REQUIRED
1	HOUSING SDAF 626 04-07	C-15257-R	1 1
2	SPHERICAL ROLLER BEARING	22326K/W-33	1 1
3	STABILIZING RING SR-0-26	A-10863	1 0
4	ADAPTER SNW-26 04-07	24429	1 1
5	TRIPLE SEAL RING LER-117	A-10497	2 2
6	DOWEL	$\phi 2$ x 1" LONG	2 2
7	CAP BOLT HEX. HEAD	1-8 NC x 7" LONG	4 4
8	LOCKWASHER	1" SPLIT MED.	4 4
9	PIPE PLUG	$\frac{3}{8}$ -18 NPT	5 5



REDRAWN ON COMPUTER  
RWB per KAB  
8-16-04

REVISIONS

SYMBOL	DESCRIPTION
C	REVISION 1
D	REVISION 2
E	REVISION 3
F	REVISION 4
G	REVISION 5
J	REVISION 6
K	REVISION 7

TOLERANCE: UNLESS OTHERWISE SPECIFIED

FRACTIONS	DECIMALS	ANGLES
$\pm 1/32$ "	$\pm .005$ "	$\pm 0^\circ 30'$
CASTING	WELD	
$\pm 1/16$ "	$\pm 1/16$ "	

SYMBOL	VALUE
C	16
D	32
E	63
F	125
G	250
J	500
K	1000

SDAF 22626 04-07  
ASSEMBLY DRAWING  
SCALE HALF  
DRAWN CJ  
DATE 3/17/72  
CHK:  
ASSEMBLY NO.  
DRAWING NO. C-14623

